

NE-902LED

Outdoor Slim LED Emergency Light with Photosensor

Type _____

Project _____

Catalog No. _____

Notes _____

PRODUCT DESCRIPTION

Slim architectural outdoor LED wallpack with photosensor for dusk to dawn security lighting. Unique luminaire includes general lighting for everyday use and emergency lighting when power failure occurs.

FEATURES

- Universal 120/277VAC input
- Outdoor luminaire with general and emergency lighting
- Test switch and LED indicator
- Self-diagnostic and self-testing unit
- Available in three finishes with UV coating: white, black, or bronze
- IP65 rated
- General illumination can be controlled with a photosensor or wall switch

CONSTRUCTION

Architectural, low profile decorative design with die-cast aluminum housing. Enclosure is IP65 rated and suitable for outdoor applications, and includes a UV Resistant polycarbonate lens.

ELECTRICAL

Input Voltage: 120/277VAC 60Hz

Lumens / Wattage: 1600lm / 18W (general lighting)
600lm / 5W (emergency lighting)

Color Temperature: 5000K

Operating Temperature: 0°C to 50°C ambient temperature

Battery: NiCad 7.2V 2A maintenance-free

OPERATION

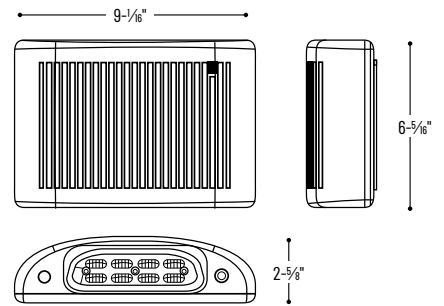
Luminaire has dual operations; general and emergency lighting. General lighting can be achieved with photosensor that will turn on the luminaire with absence of light, or with wall switch. Emergency lighting will operate for a minimum of 90 minutes during a loss of power with a 24-hour maximum recharge time.

LABELS AND LISTINGS

- 3 year / 35,000 hour limited warranty
- cULus Listed for Wet Locations
- IP65 Rated



PRODUCT IMAGES AND DIMENSIONS



Outdoor Slim LED Emergency Light with Photosensor

Catalog No. _____

NE-902LEDW = Outdoor LED Emergency Light, White

NE-902LEDB = Outdoor LED Emergency Light, Black

NE-902LEDBZ = Outdoor LED Emergency Light, Bronze

Example: **NE-902LEDB** = Outdoor Slim LED Emergency Light with Photosensor, Black